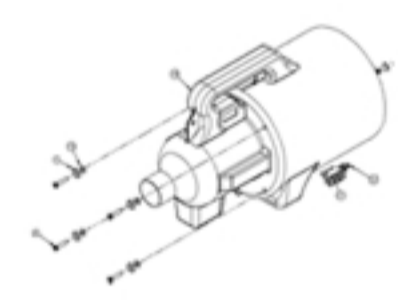


[View Line drawing](#)



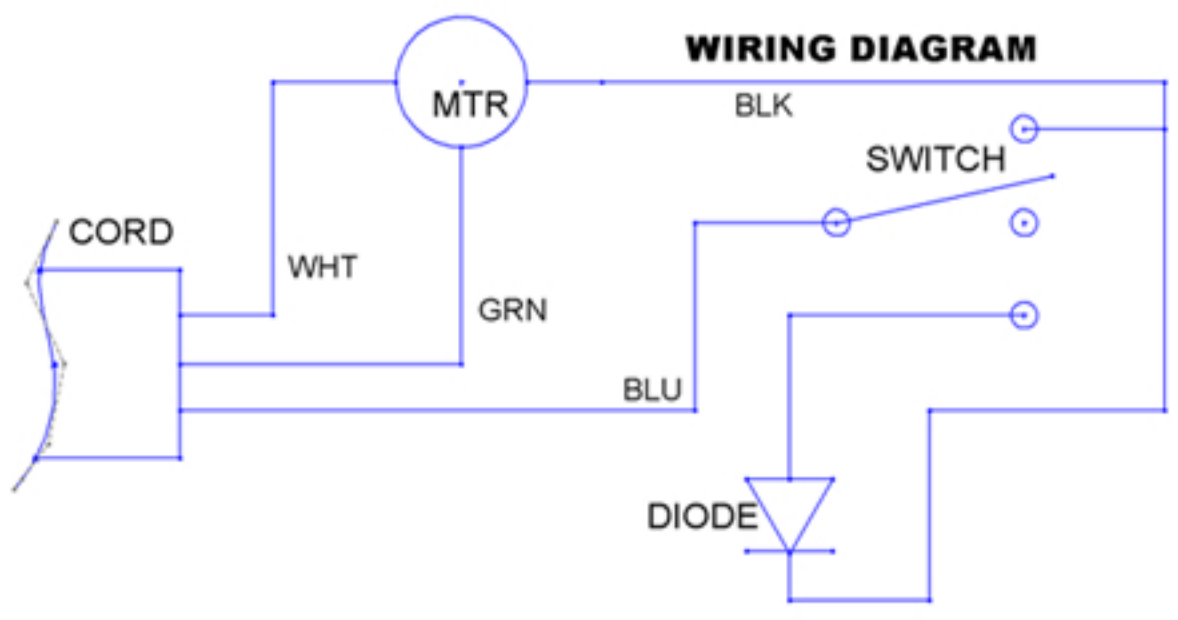
DOUBLE INDUSTRIES		9711 Mason Ave. Chattanooga, Tennessee 37411 (615) 772-2567 (800) 521-9449 Fax (615) 854-0218		
2000 PARTS DIAGRAM				
REV	SCALE	REV DATE	REV NO	REV
C	NONE	N/A	2000AD	0
ELECTRONIC FILE LOCATION C:\Program Files\2000 Series\2000A		HARD COPY LOCATION		REF
				3 OF 3

2000 DRYER PARTS LIST

ITEM NO.	PART NUMBER	DESCRIPTION	QTY.
1	2016	WASHER #10 CTSK FINISH BLACK SS 18-8	4
2	2026-1	2000 CORDSET 120V 14/3 14 FT	1
3	534	GROMMET BLACK	1
4	2015	SCREW FH, 10-32 X 1	4
5	2014	FRONT MOTOR MOUNT SEAL	1
6	819	MOTOR UNIVERSAL SINGLE STAGE 120 V	1
7	2022A	FRONT MOTOR MOUNT	1
8	2013	BLU BUSHING	4
9	842	WASHER, #10 USS FLAT	4
10	2023	SCREW FH, ST, 10-24X3/4	4
11	2034	FOAM BELT SOUND PROOF	1
12	868	INTAKE AIR FILTER	1
13	2049	HOUSING END CAP	1
14	5538	VELCRO, MVA 8 BLACK VELSTICK	1
15	2027	FILTER INTAKE	1
16	2009	FOAM DISC, SOUND CONTROL	1
17	2082	U-CHANNEL .56 x .37 MOUNT SEAL	1
18	2012B	HOUSING 2000	1
19	9028	WASHER #8 SAE FLAT PLATED	4
20	877	QUICK TIEWRAP	2
21	2147	SWITCH ROCKER 20A, 125V, 3 POS	1
22	2029	SCR R3100416 SES	1

OPTIONS

ITEM3	403	230V CORD BRITISH
ITEM3	405	230V CORD EUROPEAN
ITEM3	408	230V CORD AUSTRALIAN
ITEM 7	805	MOTOR 230V/50HZ
ITEM 7	815	BRUSH, 110V
ITEM 7	880	BRUSH 230V/50HZ
* MOTOR GASKET SOLD SEPERATLY		
* SWITCH SOLD AS AN ASSEMBLY		



DOUBLE INDUSTRIES		9711 Mason Ave. Chattanooga, Tennessee 37411 (615) 772-2567 (800) 521-9449 Fax (615) 854-0218		
2000 PARTS LIST				
REV	SCALE	REV DATE	REV NO	REV
C	NONE	N/A	2000AD	0
ELECTRONIC FILE LOCATION C:\Program Files\2000 Series\2000A		HARD COPY LOCATION		REF
				2 OF 3