

REQUIRED MAINTENANCE

FILTERS:

(Procedures below must be performed regularly or as needed to protect dryer warranty status.)

FILTER CLEANING:

The external filters of the CHALLENGAIR 560™ Cage Dryer should be kept clean. If the filters become heavily coated with hair and/or dirt, it will reduce the air output of your dryer and can cause damage to the motors or cause the motors to overheat.

***Never operate the dryer without all filters in place.**

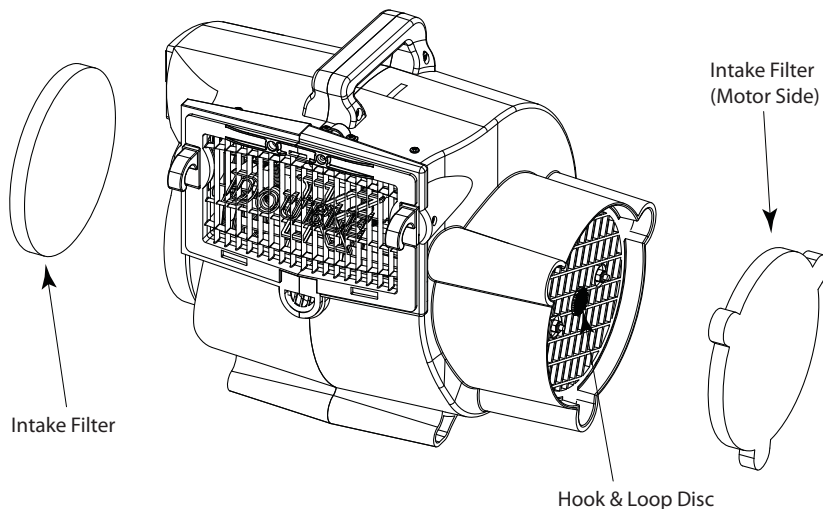
To clean filter:

1. Detach filters from both sides of dryer.
2. Filters are attached with hook and loop fasteners; pull to detach.
3. Vacuum or shake off dirt. Filters may also be rinsed with cool water if necessary. Let the filter dry completely before reinstalling on dryer.
4. Re-attach filters to dryer by pressing gently in the center of the filter.

Cleaning Dryer Interior:

Hair and dust will accumulate inside the dryer. Please blow clean as needed using a Challengair forced air dryer or suitable high-pressure air outlet.

Any maintenance not explained in this manual should be performed by Double K Industries or an Authorized Service Center. Visit www.doublekindustries.com or call Double K Industries for the name of the Authorized Service Center nearest you. All warranty service must be performed by an Authorized Service Center (or Double K Industries) to protect your warranty status.



DOUBLE K INDUSTRIES CHALLENGAIR™ 560™ Advanced Cage Dryer for Animals



INSTRUCTION MANUAL

PLEASE READ ALL INSTRUCTIONS AND SAFETY PRECAUTIONS BEFORE OPERATING PRODUCT

SAVE FOR FUTURE REFERENCE; WARRANTY PERTINENT CONTENT.

Product Specifications: Model - 560

Voltage: 115v	Voltage: 230v
Amperage: 16	Amperage: 9.55
Wattage: 1840	Wattage: 2197
Air Volume: 750 CFM	Air Volume: 750 CFM

9711 Mason Avenue, Chatsworth, CA 91311
(818) 772-2887 • (800) 821-9449 • fax: (818) 886-0218
www.DoubleKIndustries.com • info@DoubleKIndustries.com

IMPORTANT SAFEGUARDS

WARNING: IMPORTANT SAFETY PRECAUTIONS! PLEASE READ COMPLETELY BEFORE USING PRODUCT!

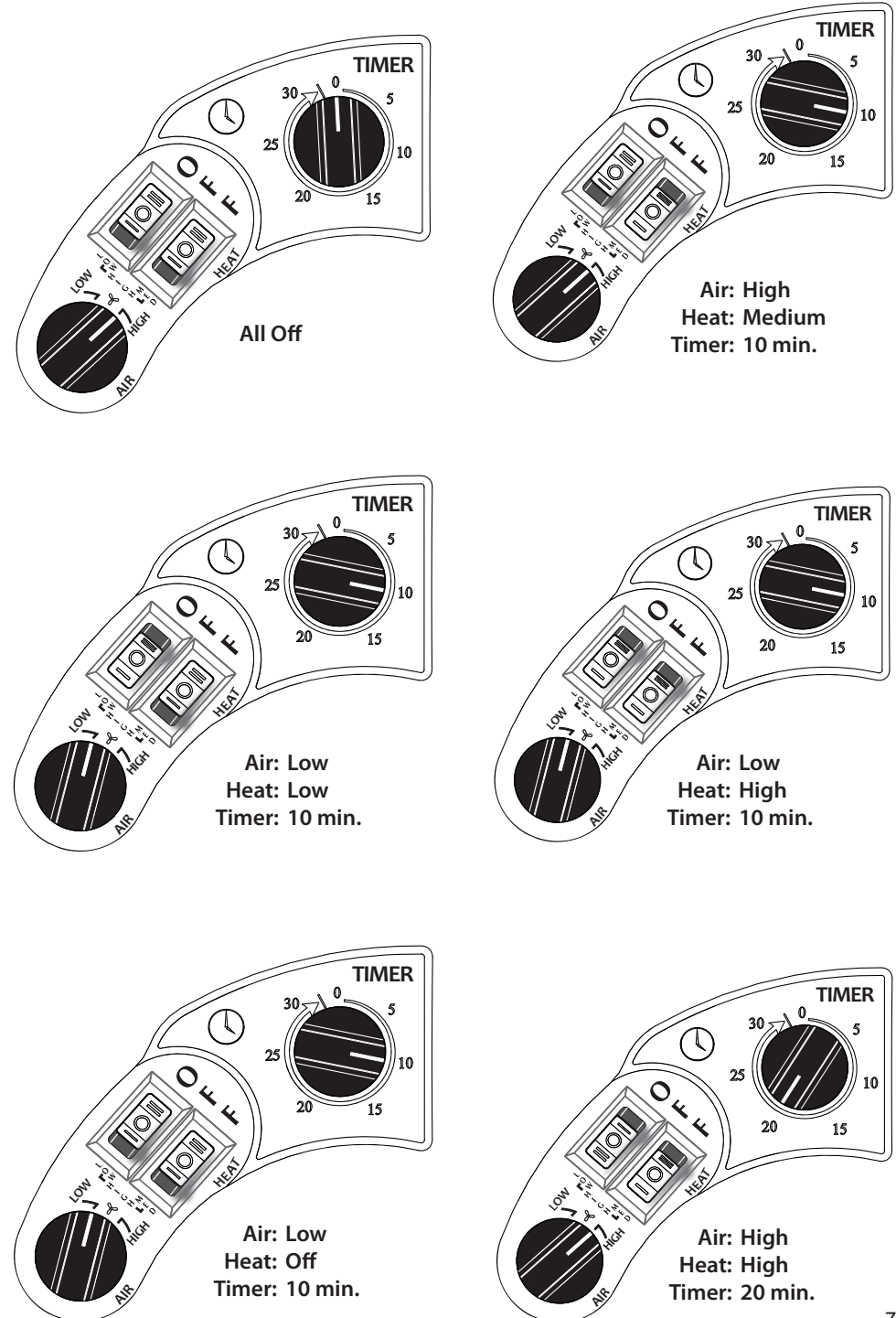
When using electrical appliances, especially when children or animals are present, basic safety precautions should always be followed to reduce the risk of fire, electric shock and personal injury, including but not limited to the following:

Remove the cardboard fan stabilizers and attach the filter folded in half under dryer handle to intake grill before operating dryer.

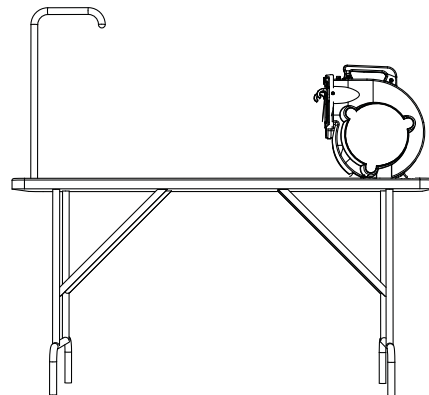
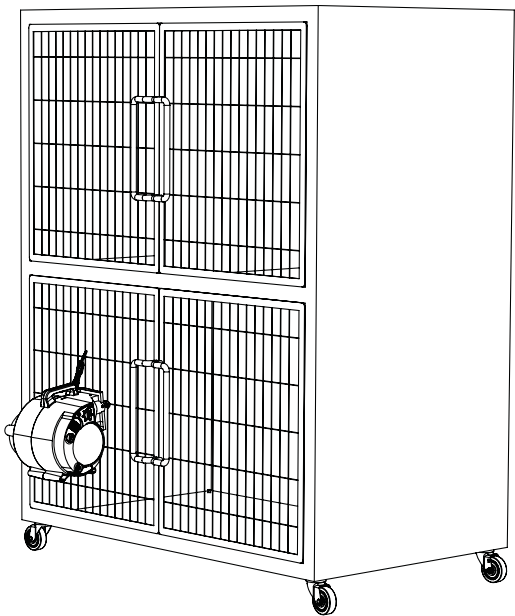
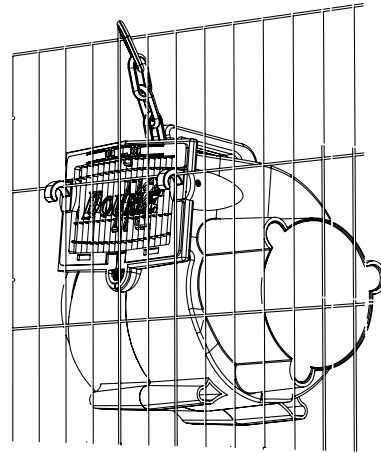
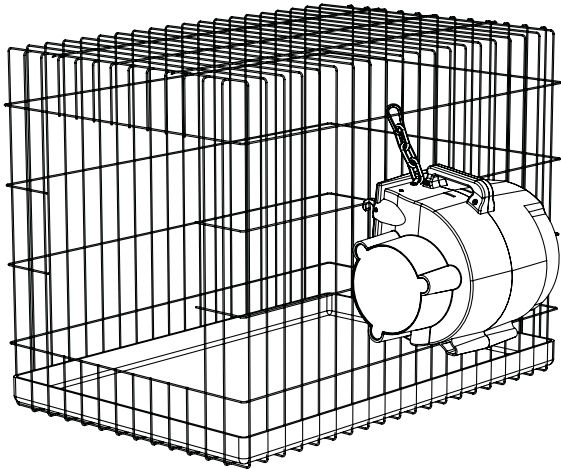
1. Do not leave dryer OR the animal unattended while product is in use.
2. Unplug unit when not in use.
3. Do not use extension cords with dryer.
4. Do not unplug unit by pulling on cord.
5. Do not expose dryer to rain or water.
6. Do not use or store dryer where it can fall or be pulled into tub or sink or standing water. If dryer falls into water... UNPLUG IT... Do not reach into the water!
7. Unplug unit before attempting any maintenance or service.
8. Do not put any object into dryer openings.
9. Keep loose clothing, jewelry and hair away from dryer openings.
10. Do not direct dryer air towards eyes or ears of people or pets.
11. Never use dryer if it has a damaged cord or plug, has been dropped, damaged or exposed to rain or water. Return to **Double K Industries** or an Authorized Service Center for service.
12. This product is for use on animals only.
13. Recommended operation by adults only. Use caution when working around children.
14. Use only attachments recommended by **Double K Industries**.
15. Do not block air intakes.
16. Do not operate without filters in place. Keep filters clean, as dirty filters limit air intake and may damage the motor or cause overheating.
17. Plug only into a properly grounded receptacle. Always make sure the amperage of the electrical outlet is sufficient for the amperage rating of the product. (See Product Specifications for amperage rating of this product).
18. Do not use product for anything other than its intended purpose.
19. Do not attempt to perform any service or maintenance not outlined in instruction manual.
20. Do not attempt any product modifications or alterations. Do not use, if any parts or switches are damaged. Send to an Authorized Service Center or **Double K Industries** for service.
21. When servicing, use only **Double K Industries** parts.

WARNING: DISCONNECT POWER SUPPLY BEFORE SERVICING
 AVERTISSEMENT: COUPER L'ALIMENTATION AVANT
 L'ENTRETIEN ET LE DÉPANNAGE

SAMPLE CONTROL CONFIGURATIONS



560 Cage Dryer Configurations



Congratulations!

Dear Challengair 560 Owner:

Congratulations on your purchase of the Challengair 560 Cage and Table Dryer, the most innovative and revolutionary animal dryer! The Challengair 560 will monitor and control the air temperature in the animal's cage. Let us take this opportunity to say we appreciate you, our customer, and if we may ever be of service, please feel free to contact us.

Please read this manual carefully and completely before beginning operation of your dryer and keep this manual in a convenient and safe place for future reference.

A warranty card is included with your dryer and should be filled out completely and mailed to **Double K Industries** within 30 days of the purchase date of your dryer to validate your warranty. Online registration available at www.DoubleKIndustries.com

To Operate:

Fasten safety chain to cage front and place hooks over bars on cage door. (Safety chain should always be attached to cage front when dryer is hanging on a cage) Turn timer knob clockwise to desired drying time (ranges from 5 to 30 minutes). Dryer will turn off automatically after the set time expires. (**The timer is for convenience only and the animal should not be left unattended during drying.**)

To Regulate Air Volume:

Turn air control knob to desired setting.

To Regulate Air Temperature:

Low temperature: Flip the top switch to the ON position marked LOW while the bottom switch is in the OFF position.

Medium temperature: Flip the bottom switch to the ON position marked MEDIUM while the top switch is in the OFF position.

High temperature: Flip both switches ON.

**See page 7 for sample HEAT - AIR - TIMER configurations.*

Two Year Warranty:

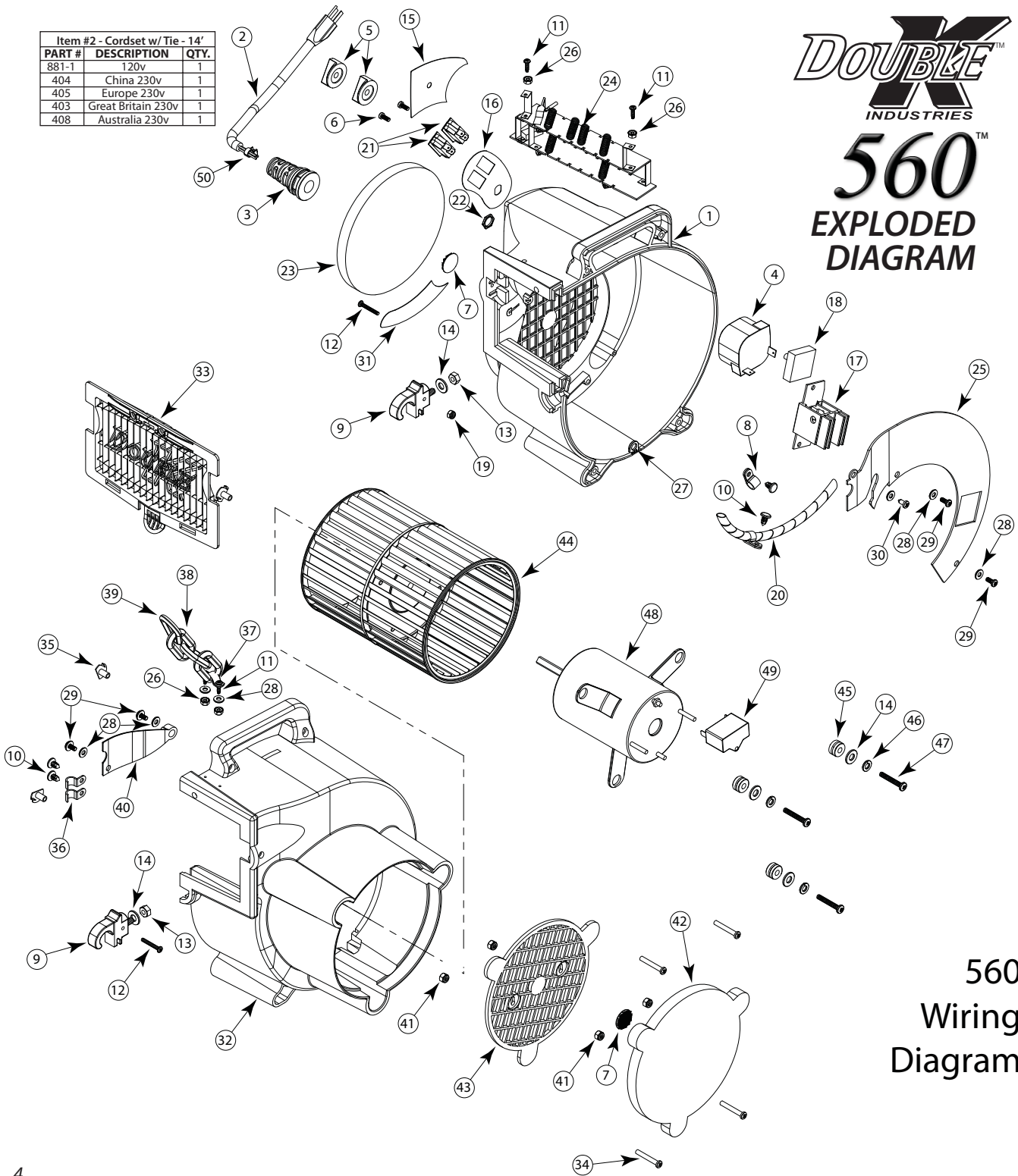
Guarantees: The Challengair 560 is guaranteed against defects in materials and workmanship for two years from the original date of purchase. Should any component become inoperative due to defects in materials or workmanship for two years from the original date of purchase, Double K Industries will repair the dryer "FREE OF CHARGE" subject to the limitations below. For warranty service of your Challengair 560 Dryer, please ship prepaid to Double K Industries (address below) or call the location of the nearest authorized service center.

Limitations: Warranty does not cover shipping or transportation costs. Warranty applies to original purchaser only. Proof of purchase is required. Warranty does not cover filters. Warranty does not apply to motor if filters are not maintained or dryer is operated without filters in place. Warranty does not cover abuse, damage from improper or lack of maintenance, accidents, acts of war, acts of nature, droppage, improper voltage, disassembly or alteration. Disassembly, repair or service by anyone other than **Double K Industries** or a **Double K** authorized service center will void the warranty.

Item #2 - Cordset w/ Tie - 14'		
PART #	DESCRIPTION	QTY.
881-1	120v	1
404	China 230v	1
405	Europe 230v	1
403	Great Britain 230v	1
408	Australia 230v	1



560 EXPLODED DIAGRAM



ITEM #	PART #	DESCRIPTION	QTY.
1	10065	560 Housing Instr. Side (Black)	1
3	2038	Strain Relief (14/3 cord)	1
4	5558	Switch Rotary Timer 30 Minutes	1
5	5509	Knob Switch Black	2
6	5510	Screw M4 x 10mm PHP	2
7	5538	Hook & Loop Disc for Filter Material	2
8	5532	Cable Clamp 3/8" Plastic	3
9	10010	Cage Hook Black 560-Dryer	2
10	10020	Clip, Christmas Tree Conical	4
11	10019	Screw #6-32 x 1/2 PHP	6
12	10023	Screw #6-32 x 1 PHP Black Oxide	2
13	10026	Nut 1/4-20 UNC Nylon Hex	2
14	10031	Washer 1/4 SAE Flat Platd.	3
15	10032	Label 3-color "Timer"	1
16	10049	Label 3-color "Heat/Air"	1
17	10007	Controller, 115V	1
17	10006	Controller, 230v	1
18	10028	Switch Rotary 2-Pos 13A	1
19	10030	Nut #6-32 UNF Lock Nylon Insert	2
20	10041-8	Wire Wrap Black 8" Long	1
21	2148	Switch Rocker 20A 125VAC 2-Pos.	2
22	5513	Nut, 15/32 x 32 UNF	1
23	10005	Filter Intake 5.8 Dia.	1
24	10014-1	Heating Element W/Connector 120V	1
24	10025-1	Heating Element W/Connector 230V	1
25	10012	Modified Instrument Cover	1
26	5533	Nut #6-32 UNF Keeps Locking	4
27	10027	Cabletie Loop .350 I.D.	1
28	9028	Washer #8 SAE Flat Plated	9
29	10036	Screw #8-32 x 3/8" PHP	4
30	845	Screw #8 x 3/8" Sht. Metal PHP	1
31	10034	Label 2-color "Model 560"	1
32	10064	560 Housing Motor Side (Black)	1
33	10100	Exhaust Grill "Double K" Logo	1
34	10011	Screw #10-16 x 1-1/4 Hi/Low PHP	4
35	10022-1	560 Modified Tee Nut	3
36	5532-1	Modified 560 Cable Clamp	2
37	10103	Pipe Strap 3/8" 2-Hole	1
38	10274	Chain Links (No Ends)	3
39	575	Safety Hook, 2-3/8 x 1/4	1
40	10015	Cover - Motor Side Model 560	1
41	10078	Nut #8-32 UNF Hex Nylon Insert	4
42	10004	Filter Intake 560 Motor Side	1
43	10003	Grill Intake Motor Side	1
44	10008	Fan 560-Blower (wheel) Q575-34	1
45	10021	Grommet, Rubber	3
46	967	Washer 1/4" Split Lock	3
47	10024	Screw #10-32 x 1-1/4 PHP	3
48	10099	Motor 115VAC, 60Hz, w/Capacitor	1
48	10029	Motor 230VAC, 50Hz, w/Capacitor	1
49	10098	560 Motor Capacitor	1
50	877	Quick Tiewrap	1
51	9015	Terminal 1/4" Female clear blue 16-14ga (not shown)	3
52	9015	Terminal 1/4" Female clear yellow 12-10ga (not shown)	5
53	5540	Terminal 1/4" Female red 22-16ga (not shown)	5

560 Wiring Diagram

